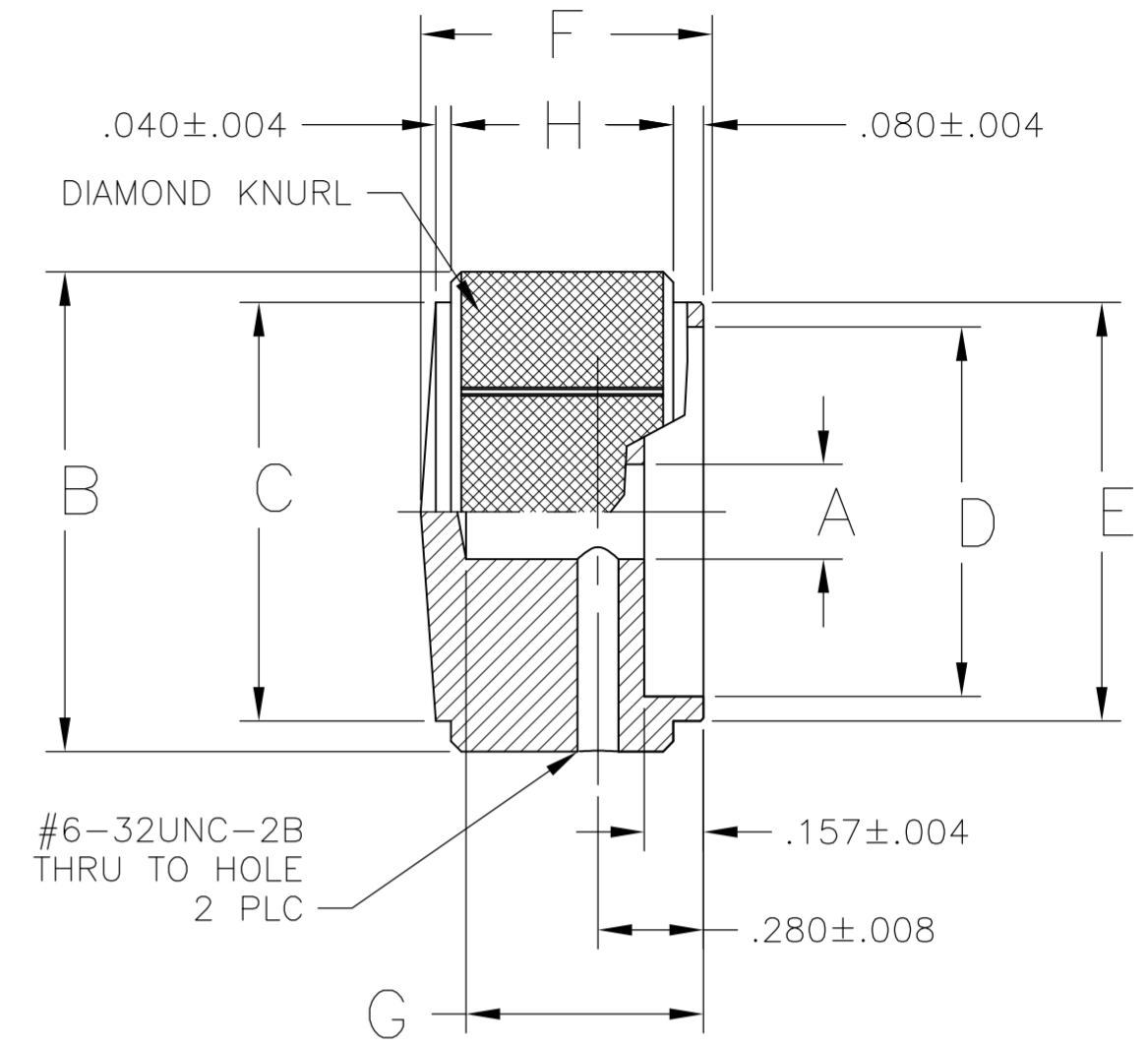
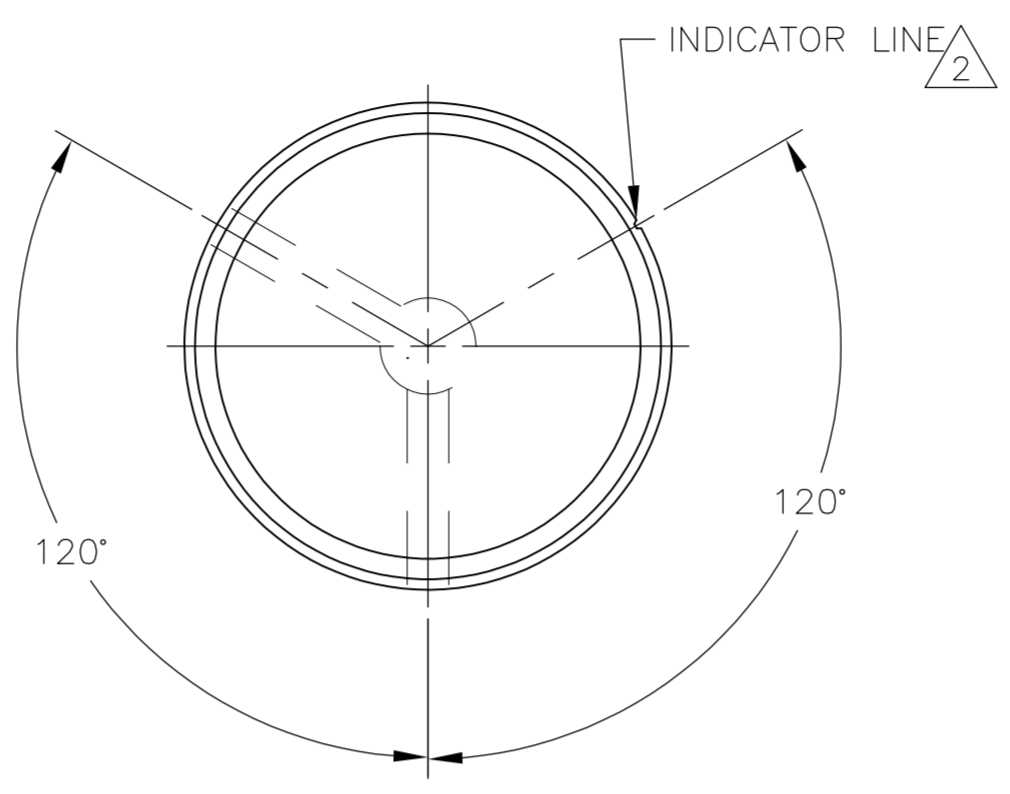


THIS DRAWING IS UNPUBLISHED. RELEASED FOR PUBLICATION
 © COPYRIGHT BY TYCO ELECTRONICS CORPORATION. ALL INTERNATIONAL RIGHTS RESERVED.

| LOC | | DIST | | REVISIONS | | | |
|-----|----|------|-----|---------------------------|---------|-----|------|
| AD | 00 | P | LTR | DESCRIPTION | DATE | DWN | APVD |
| | | A1 | | REVISED PER ECO-08-016840 | 09JUL08 | HMR | WM |

- 1 ALL CORNERS OR RADII TO BE .005 MAX.
- 2 NATURAL KNOB: BLACK INDICATOR LINE.
BLACK KNOB: WHITE INDICATOR LINE.
GOLD KNOB: RED INDICATOR LINE.
- 3 SETSCREWS: 303 STAINLESS STEEL, BLACK ANODIZED.
- 4 KNOB: 5056 ALUMINUM ALLOY, COLOR PER TABLE ANODIZED



| H | G | F | E | D | C | B | A SHAFT SIZE | SETSCREW | COLOR | ALCO MODEL NUMBER | TE PART NUMBER | |
|--------------|-----------|------------|-------------|--|------------|------------|--|--------------|--------------|-------------------|----------------|-------------|
| .590±.008 | .630±.008 | .750±.012 | 1.110±.012 | .980±.012 | 1.110±.012 | 1.272±.012 | .251 ^{+.003} _{-.000} | #6-32 X .438 | GOLD | KD1250G-1/4 | - | |
| .470±.008 | .510±.008 | .630±.008 | .820±.012 | .710±.012 | .820±.012 | .970±.012 | | | #6-32 X .313 | BLACK | KD1250B-1/4 | 6-1437621-9 |
| | | | | | | | | | | NATURAL | KD1250A-1/4 | 6-1437621-8 |
| | | | | | | | | GOLD | | KD900G-1/4 | - | |
| | | | | | | | | #6-32 X .188 | BLACK | KD900B-1/4 | 7-1437621-7 | |
| | | | | | | | | | NATURAL | KD900A-1/4 | 7-1437621-6 | |
| | | | | | | | GOLD | | KD700G-1/4 | - | | |
| #6-32 X .125 | BLACK | KD700B-1/4 | 7-1437621-5 | | | | | | | | | |
| | NATURAL | KD700A-1/4 | 7-1437621-4 | | | | | | | | | |
| | GOLD | KD500G-1/4 | - | | | | | | | | | |
| .430±.008 | .380±.008 | .430±.008 | .520±.008 | .126 ^{+.003} _{-.000} | BLACK | KD500B-1/4 | 7-1437621-2 | | | | | |
| | | | | | NATURAL | KD500A-1/4 | 7-1437621-0 | | | | | |
| | | | | | GOLD | KD500G-1/8 | - | | | | | |
| | | | | | | | | BLACK | KD500B-1/8 | 7-1437621-3 | | |
| | | | | | | | | | NATURAL | KD500A-1/8 | 7-1437621-1 | |

THIS DRAWING IS A CONTROLLED DOCUMENT.

DWN M. BINNER 13JAN05
 CHK M. ZITTO 13JAN05
 APVD M. ZITTO 13JAN05

Tyco Electronics Corporation
 Harrisburg, PA 17105-3608

NAME: KNOB, KD SERIES

SIZE: A2 CAGE CODE: 00779 DRAWING NO: 6-1437621-8 RESTRICTED TO: -

SCALE: 1:1 SHEET: 1 of 1 REV: A1

CUSTOMER DRAWING